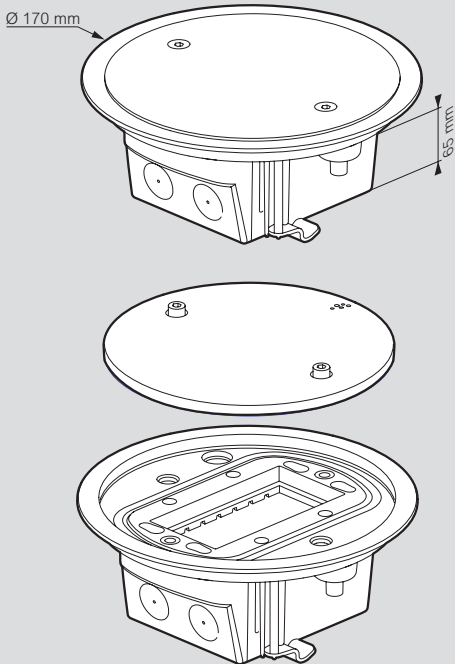


IP 66 floor boxes - 4 modules

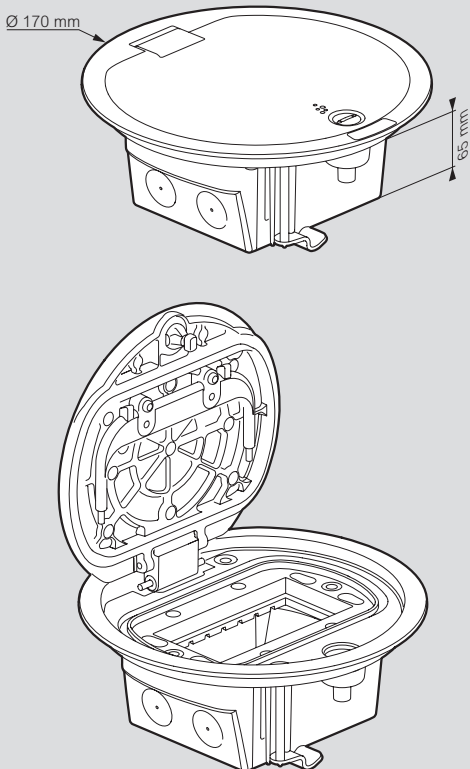
for raised or concrete floors

■ Dimensions

Floor boxes Cat.Nos 0 880 61

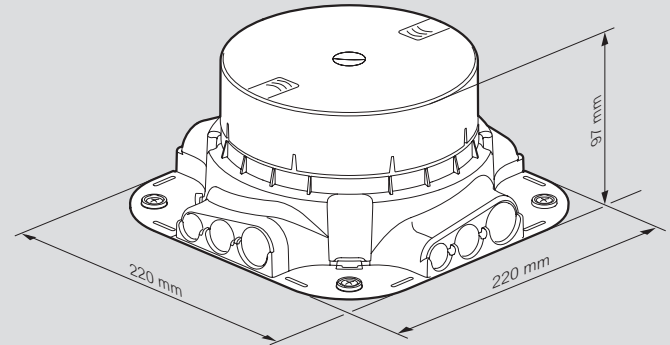


Floor boxes Cat.Nos 0 880 64

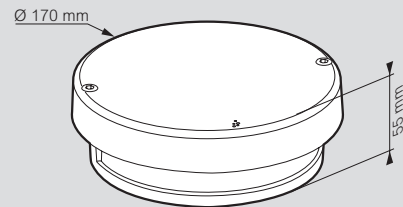


■ Dimensions (continued)

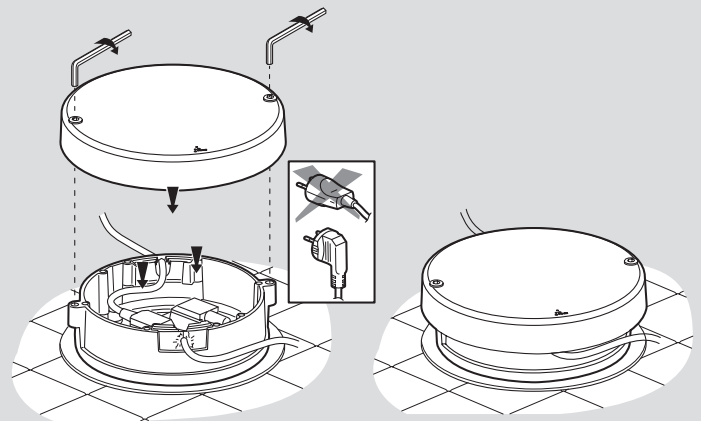
Flush-mounting backbox Cat.No 0 880 69



Cable exit accessory Cat.No 0 880 62



■ Example of use for removable lid floor box with cable exit accessory Cat.Nos 0 880 61 + 0 880 62



■ Floor cut for installation in raised floor

